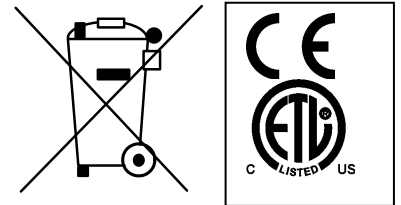


RAMA FRESNEL & PC RANGE OPERATION MANUAL



THANK YOU FOR PURCHASING A PHILIPS SELECON LUMINAIRE. WE HAVE DESIGNED THIS LUMINAIRE TO PROVIDE YOU WITH A SUPERIOR FITTING IN PERFORMANCE, DESIGN AND ENGINEERING. WE ARE CONFIDENT THAT IT WILL PERFORM TO YOUR EXPECTATIONS FOR MANY YEARS TO COME.

IMPORTANT NOTE: Before discarding the packaging ensure you have the suspension bolt set, colour frame, lamp base spacers &/or the lamp.

Before operating your new luminaire please read this information to assist you in making maximum use of your luminaire, its maintenance and care. If you would like further assistance contact your Philips Selecon dealer or Philips Selecon.

LAMPING YOUR LUMINAIRE

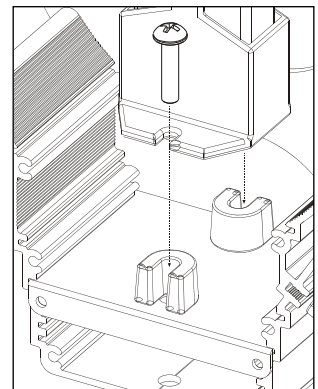
Before lamping – DISCONNECT THE LUMINAIRE FROM THE POWER SUPPLY. Be aware also that the lamp, luminaire or integrated safety bond may still be hot, so exercise the necessary caution to avoid burns. These luminaires are not suitable for mounting on a normally flammable surface.

The Philips Selecon Rama range comprises four models: the **High Performance 175 Fresnel, High Performance 175 PC, 150 Fresnel and 150 PC**. The Philips Selecon Rama range is designed for use with either the T/29 1200W or T/19 1000W lamp.

Philips Selecon Rama Fresnel and PC with GX9.5 Lampbase

To facilitate the use of these two lamps which are of different sizes the height of the GX9.5 lamp base plate is adjustable. The adjustment is by means of positioning 2 lamp base spacers under the lamp base. Without the spacers, the lamp base is aligned for use with the T/29 1200W lamp.

With the spacers, the lamp base is aligned for use with the 1000W lamp. To make the adjustment, loosen the two lamp base fastening screws with a screwdriver, and lift the lamp base up. Slide the two lamp base spacers into place around the lamp base screws, and tighten the screws. Lamps able to be used in the Rama GX9.5 version are: 1200W – T/29; 1000W – T/11, T/19, CP24, CP70.



Philips Selecon Rama Fresnel and PC with G22 Lampbase

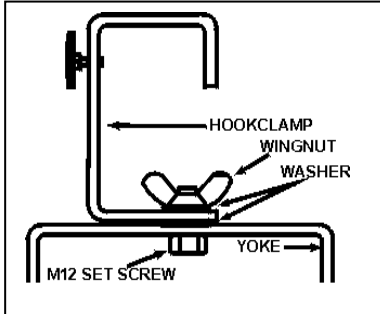
It is not necessary to adjust the lamp base height with the G22 version of the Rama range. Lamps able to be used in the Rama G22 version are: CP71 – 1000W. To fit the lamp:

- Release the clip fastener and swing down the rear door.
- Insert lamp taking care not to touch the quartz envelope with your fingers.
- Close door and lock off the fastener.

 1.0m  The luminaire should be at least 1m away from the nearest object it is lighting.

MOUNTING YOUR LUMINAIRE

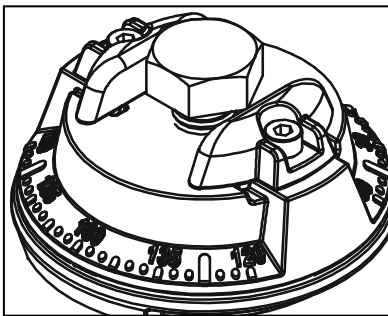
Your luminaire uses a theatre lamp with a grid filament. To avoid premature lamp failure it is essential that the luminaire is always mounted so the yoke is horizontal and with the lamp base down, i.e. the lamp adjustment knob is at the bottom of the rear lamp plate.



Rama 150 Fresnel and PC / Rama 175 Fresnel and PC

To mount on the theatre standard scaffold pipe (48mm O.D.) use a theatre hookclamp (G clamp) (Order Code: 20HC). Your luminaire is supplied with a 12mm set screw, washers and a nut. Thread the set screw through the yoke from the inside, put on a washer, then the hookclamp, another washer and then do up finger tight with the nut.

To mount on a telescopic stand, reverse the yoke under the luminaire and bolt the stand's spigot onto the 10mm set screw.



Rama 150 FFT Fresnel and PC, Rama 175 FFT HP Fresnel and PC

To mount on the theatre standard scaffold pipe (48mm O.D.) use a theatre hookclamp (G clamp) (Order Code: 20HC). Your luminaire is supplied with a FFT pan grip control to facilitate fast adjustment. Insert the hookclamp into the top of the FFT pan grip control, thread the 12mm set screw provided through the hookclamp and into the FFT pan grip control, and lock the hookclamp into place with the guides.

SAFETY CHAIN

A safety chain MUST always be used when rigging luminaires on bars, ladders etc. The Rama has an integral safety bond that can be retracted into the luminaire when not in use. To use the safety chain, unscrew the safety chain locking clamp located on the top of the lamphouse, pull the clip out from the rear of the lamphouse, and loop the safety chain around the bar fastening the clip onto the safety chain. Be careful to allow sufficient slack to enable the luminaire to be focused freely. To replace the safety chain, remove the rear lamphouse moulding, slide out the safety chain locking clamp, and pull out the safety chain, taking care to retain the safety chain loop bar. Reverse the process with a new safety chain. Replace only with the approved safety chains available from Philips Selecon or your distributor.



WARNING: the integrated safety bond will get very hot during use, please take care in handling when the luminaire is on.

Please be careful to allow sufficient slack to allow the luminaire to be focused freely.

FOCUSING

Rama 150 Fresnel and PC, Rama 175 Fresnel and PC

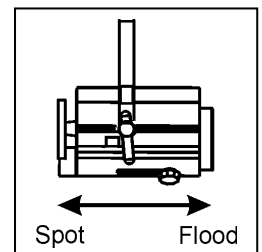
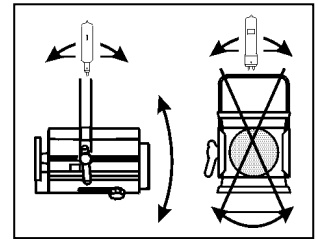
The variable beam of the Rama is altered by adjusting the position of the lamp / reflector assembly relative to the lens. Finger tight pressure only is necessary to lock the lamp / reflector assembly off in the chosen positions. A beam angle reference scale is provided to prefocus the luminaire if desired.

When focusing, first spot the beam down, position the luminaire and then flood the beam to cover the area required. The beam can then be shaped using the barndoors (Order Code: 20BDSF12).

Rama 150 FFT Fresnel and PC, Rama 175 FFT HP Fresnel and PC

The variable beam of the Rama is altered by adjusting the position of the lamp / reflector assembly relative to the lens. The Rama is supplied with an FFT focus assembly to facilitate fast adjustment. To adjust the beam angle of the Rama, squeeze the focus grip and slide to the position required. Release the focus grip to lock the focus. A beam angle reference scale is provided to prefocus the luminaire if desired.

When focusing, first spot the beam down, position the luminaire and then flood the beam to cover the area required. The beam can then be shaped using the barndoors.



YOKE PIVOT ADJUSTMENT

The yoke on the Rama range can be positioned anywhere in the channel that runs the length of the luminaire. This is useful to achieve the best balance if using a colour changer or other accessory mounted on the front of the luminaire, or to fit the luminaire in space restricted positions.

The yoke balance point is factory set on the lamp house for normal applications. To move the yoke, loosen the M8 bolt at the bottom pivot point of the yoke on the right side of the luminaire. Release the tilt locking clamp on the left side of the luminaire, and slide the yoke to the required position. Check the yoke is evenly positioned on each side and tighten the M8 bolt, and the tilt locking clamp. To return the yoke to its original balance point, align the yoke to the balance point marked on the focus reference scale.

PAN AND TILT ADJUSTMENT

Rama 150 Fresnel and PC, Rama 175 Fresnel and PC

To pan your luminaire loosen the yoke nut and bolt holding the hookclamp onto the yoke and adjust the yoke as required, then retighten the yoke nut and bolt.

The nylock nut that secures the yoke on the opposite side to the tilt handle sets the tilt lock friction. The tilt friction can be adjusted by loosening or tightening up the nylock nut. To tilt your luminaire, turn the tilt lock knob clockwise, tilt the luminaire to the position required, and then turn the tilt lock knob anticlockwise. A tilt angle reference scale is provided on the locking clamp disc to prefocus the luminaire if desired.

Please note that as the handles and integrated safety bond on the Rama range can reach high temperatures depending on the position or orientation of the luminaire, and that gloves should always be worn when focusing.

Rama 150 FFT Fresnel and PC, Rama 175 FFT HP Fresnel and PC

The Rama is supplied with an FFT pan assembly on the yoke to facilitate fast adjustment. To pan your luminaire turn the pan locker a ¼ turn clockwise and adjust the yoke as required, then turn the pan locker a ¼ turn anticlockwise to set the position. A pan angle reference scale is provided on the FFT pan assembly to prefocus the luminaire if desired.

The nylock nut that secures the yoke on the opposite side to the tilt handle sets the tilt lock friction. The tilt friction can be adjusted by loosening or tightening up the nylock nut. To tilt your luminaire, turn the tilt lock knob clockwise, tilt the luminaire to the position required, and then turn the tilt lock knob anticlockwise. A tilt angle reference scale is provided on the locking clamp disc to prefocus the luminaire if desired.

ACCESSORIES

- ◆ Suspension Hook Clamp (Order Code: 20HC)
- ◆ Lens Safety Mesh (Order Code: 20SM6)
- ◆ Colour Frame – the luminaire is supplied with a colour frame 186 x 190mm. Additional colour frames are available (Order Code: 20CFRA12).
- ◆ Barndoor (Order Code: 20BDSF12)

EARTH TEST POINT

There is an earth test point located on the rear housing of the Rama. The earth test point is the silver machine screw located on the right side of the rear housing, and is indicated by an earth symbol. To test the earth of the Rama, place the test probe on the silver machine screw, and perform the earth test.

CLEANING

Open the down-swinging door, and clean the lens and/or reflector with a soft lint-free cloth.

This is the only maintenance task, which can be safely carried out by non-approved personnel. Refer below – Safety & Maintenance note.

SAFETY & MAINTENANCE

Philips Selecon has manufactured this luminaire in accordance with recognised best practices to recommended international safety standards. It is your responsibility to maintain this luminaire in good and safe working condition.

Repairs should only be carried out by suitably qualified persons. Do not operate the luminaire with cracked lens, damaged cables etc. Consult your Philips Selecon distributor for assistance. Only replace damaged parts with authorised Philips Selecon spares.

N.B. Luminaire Cable – your Philips Selecon luminaire is fitted with a special heat-resistant, flexible cable, replace with genuine Philips Selecon spare part cable kit only – refer to your Philips Selecon distributor. (Replacement cables are supplied complete with necessary terminal connectors).

Cable Conductor colour codes: Brown -Phase, Live
Blue -Neutral, Return
Green/ Yellow -Earth

LIMITED WARRANTY

Philips Selecon warrants its products against defects in materials or workmanship. The term of this warranty is based on the product usage and is from the date of delivery.

Entertainment, Theatre Term = Three Years

Entertainment, Theatre relates to the typical conditions found in a theatre performance venue viz: 4 – 6 hrs per day, six days per week.

This warranty is void in any of the following circumstances: (a) The luminaire has been misused, neglected, damaged or abused. (b) The luminaire has been improperly installed, operated, repaired or maintained. (c) The luminaire has been modified. (d) The luminaire has been connected to other equipment with which it is not compatible. (e) The luminaire has been used or stored in conditions outside its electrical or environmental specifications. (f) The luminaire has been used for purposes other than for which it was designed. (g) The luminaire has been used outside its stated specifications and operating parameters.

Correct installation of the luminaire is the owner's responsibility.

To assert a warranty claim, complete the Philips Selecon Return Authorisation Form (available from Philips Selecon). Return the luminaire to Philips Selecon or its authorised agent.

If Philips Selecon accepts the warranty claim, Philips Selecon will provide, or arrange for, service, repair or replacement as Philips Selecon shall determine in its sole discretion. Philips Selecon shall bear the cost of such service, repair or replacement. However, the owner shall bear the cost of freight and insurance on the luminaire, both ways. If Philips Selecon does not wish to service, repair or replace the defective luminaire, it shall refund the purchase price.

Philips Selecon's sole responsibility is to repair, replace or service a luminaire subject to a valid warranty claim. Under no circumstance will Philips Selecon be liable for direct, indirect, incidental, special or consequential costs or damages, including dismantling and re-installation costs, loss of operations or profits, to the maximum extent permitted by law.

Philips Selecon accepts no liability for personal injury or property damage resulting from failure to heed relevant operating and safety procedures specified by Philips Selecon or imposed by law.

This is an express warranty. Philips Selecon disclaims any other express or implied warranties, including warranties of merchantability or fitness for purpose, to the maximum extent permitted by law.

Some jurisdictions do not allow limitations or disclaimers of implied or statutory warranties. Some jurisdictions do not allow disclaimers or exclusions of consequential or incidental damages. Therefore, the above disclaimers, limitations and exclusions may not apply in all jurisdictions in which Philips Selecon sells its luminaires.

This warranty gives the owner specific legal rights. The owner may have other rights or remedies pursuant to the laws in its territory. Nothing in this limited warranty should be construed as limiting or restricting any other statutory right or remedy of the owner, except for such limitations or restrictions herein as may be allowed by the law of the territory.

Philips Selecon has a policy of continual product improvement and specifications are subject to change without notice.

PHILIPS SELECON DISTRIBUTOR NETWORK

Your Philips Selecon distributor is a theatre professional with a broad knowledge of understanding of performance requirements. Most can offer you a full service including not only stage lighting equipment but all your theatre needs including curtains, scenic paint, sound equipment as well as supplies of lamps, filter, gaffer tape, etc.

The Philips Selecon dealer network is an international group of lighting professionals throughout North America, Australasia, Asia and Europe.

Manufacturer

Philips Selecon, 19-21 Kawana Street, Northcote, Auckland 0627, New Zealand

Ph: + 64 9 481 0100, Fax: + 64 9 481 0101

www.seleconlight.com